



ELEKTROTERMIJA

BACKER GROUP MEMBER

PRODUCTS

HEATING ELEMENTS & SYSTEMS - TEMPERATURE CONTROL

HEATING ELEMENTS We offer reliable heating element solution that best fulfills your specific needs



CARTRIDGE HEATERS



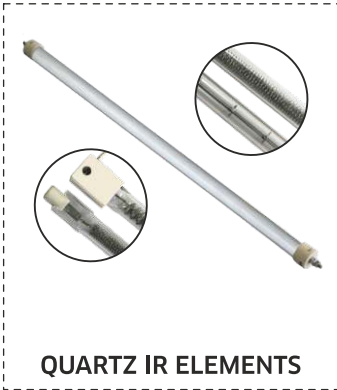
CERAMIC ELEMENTS



GALVANIC HEATERS



INFRARED ELEMENTS



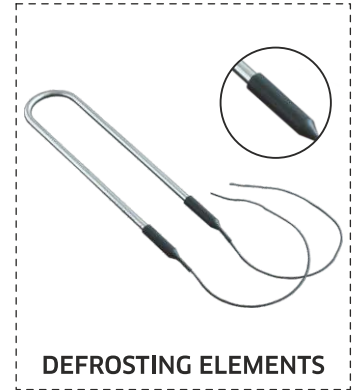
QUARTZ IR ELEMENTS



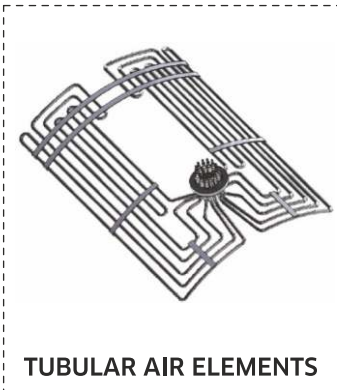
PRESSED-IN ELEMENTS



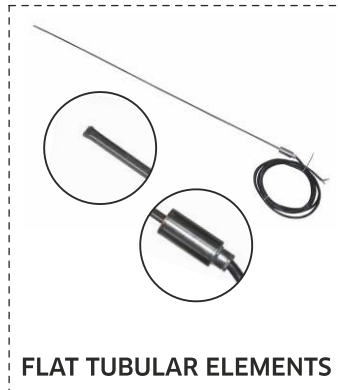
NOZZLE & COIL HEATERS



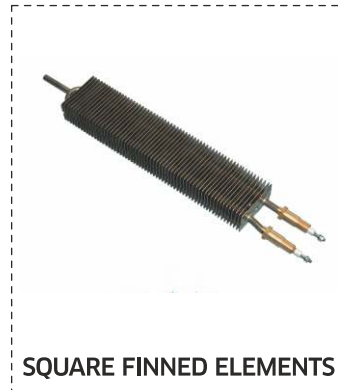
DEFROSTING ELEMENTS



TUBULAR AIR ELEMENTS



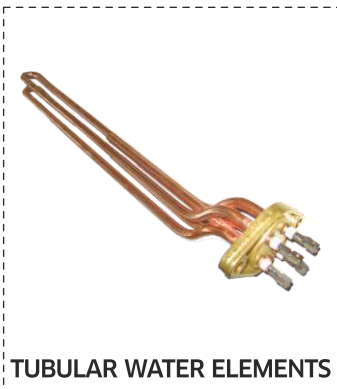
FLAT TUBULAR ELEMENTS



SQUARE FINNED ELEMENTS



FINNED ELEMENTS



TUBULAR WATER ELEMENTS



IMMERSION HEATERS



INDIRECT HEATERS



THERMOSTAT HEATERS



FLEXIBLE ELEMENTS



OPEN WIRE ELEMENTS

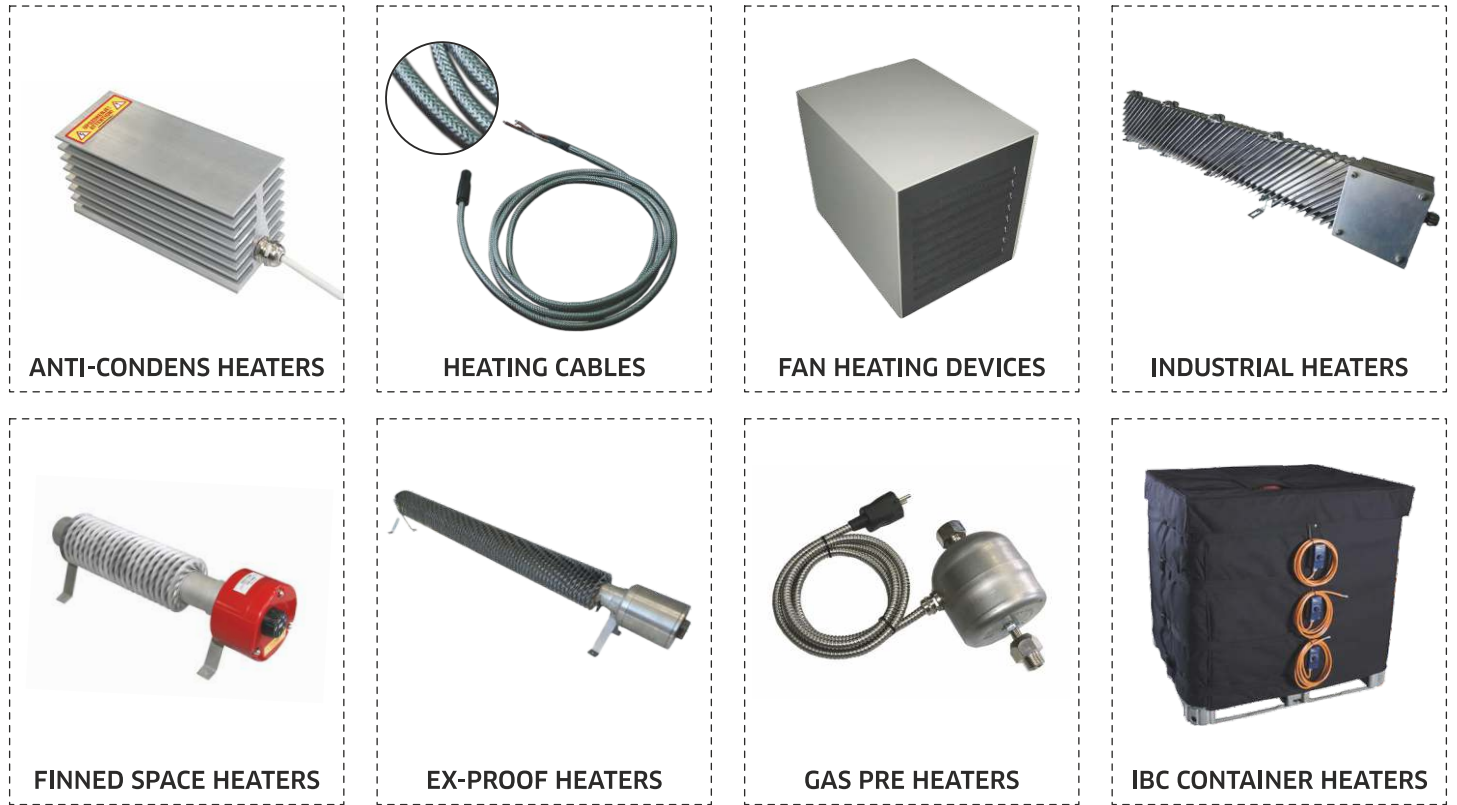


BOLT HEATERS

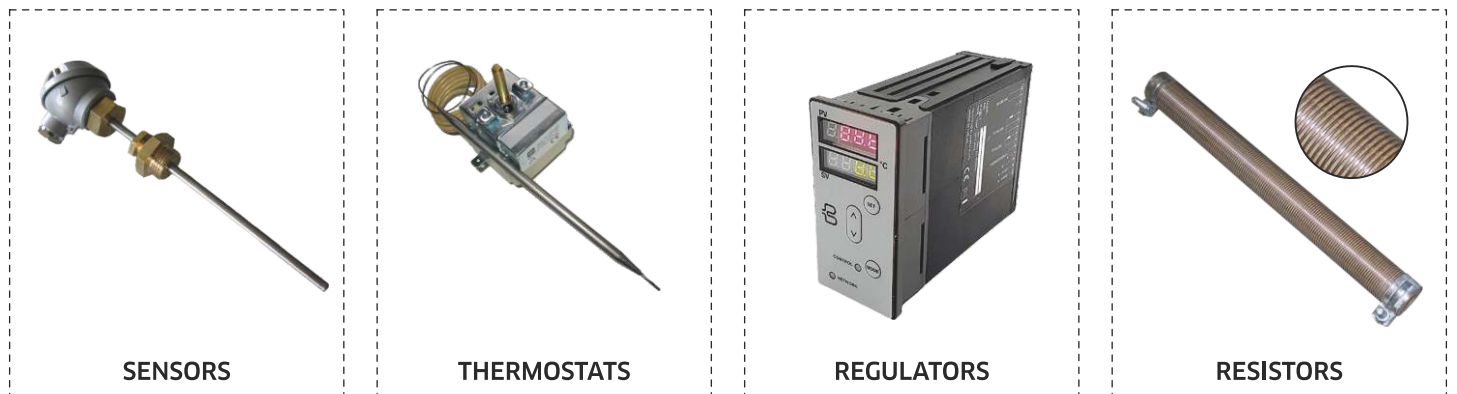


RING & BAND HEATERS

HEATING SYSTEMS Quality heating elements and fine controls makes functional heating systems



TEMPERATURE CONTROL Measurement and control equipment ensure safe and reliable operation



ACCESSORIES Any heating system can't be completed without suitable accessories and components

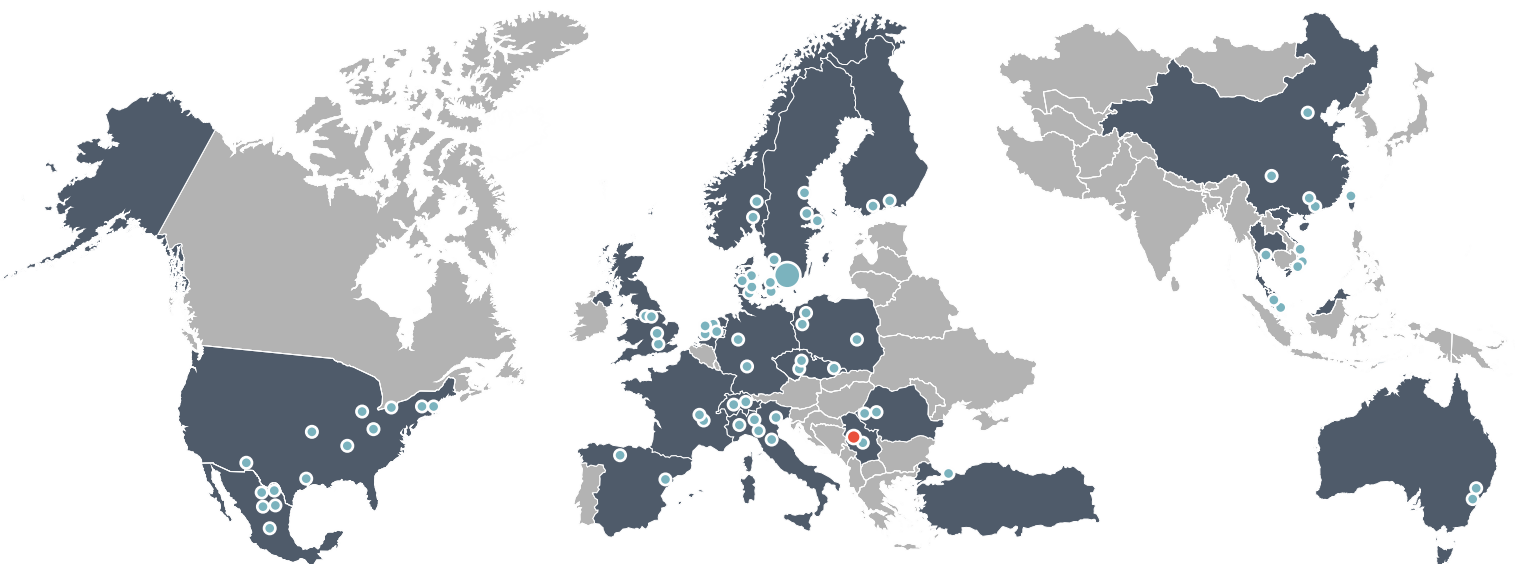


OTHER PRODUCTS We also meet your requirements by offering the following designs and options

CAST-IN ELEMENTS - CAGE ROD ELEMENTS - IGNITION ELEMENTS - ALUMINUM ELEMENTS - MICANITE ELEMENTS
PTC ELEMENTS - THICK FILM ELEMENTS - COMPRESSOR HEATERS - BARREL HEATERS - TEFLON HEATERS - HEATING MATS

BACKER GROUP

EVERYDAY · EVERYWHERE



NORTH AMERICA

EUROPE

ASIA/OCEANIA

BACKER GROUP develops, produces, and sells customized solutions for electric heating, measurement, and control. ELEKTROTERMIJA is a leading manufacturer and supplier of industrial and special heating elements located in Serbia.

INDUSTRY SECTORS



Industry



Energy



Advanced technology



Commercial equipment



Home appliance



Transportation



HVAC&R

TECHNOLOGIES



Tubular Elements



Printed Elements



Supported Wire Elements



Measurement & Control



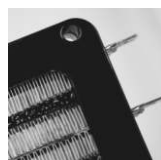
IR & Halogen Elements



Heating Cables & Jackets



Suspended Wire Elements



PTC Elements

QUALITY

We responsibly manufacture products that comply with norms and standards of quality applicable to every step of the work process.



ISO 9001



ISO 14001